



# Kontrols & Industrial Weighing

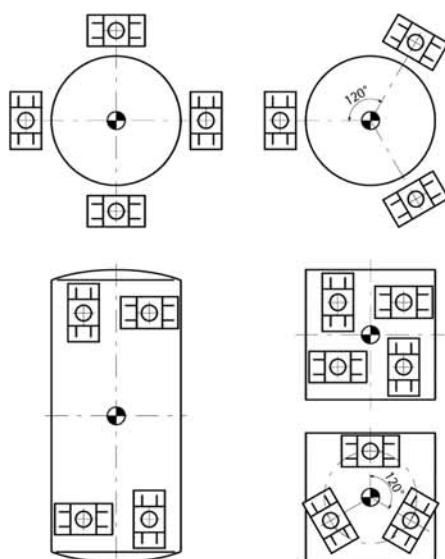
## PR 6144 Seismic Mount



**sartorius**  
mechatronics



- Easy and fast installation by simple design and provided dummy
- Best weighing performance since mounting kits and load cells form a complete unit
- Solid and robust design
- Designed for extreme high lateral and lift-off forces
- Completely maintenance free construction
- Including lift-off-protection
- For load cell capacities from 20 t up to 520 t

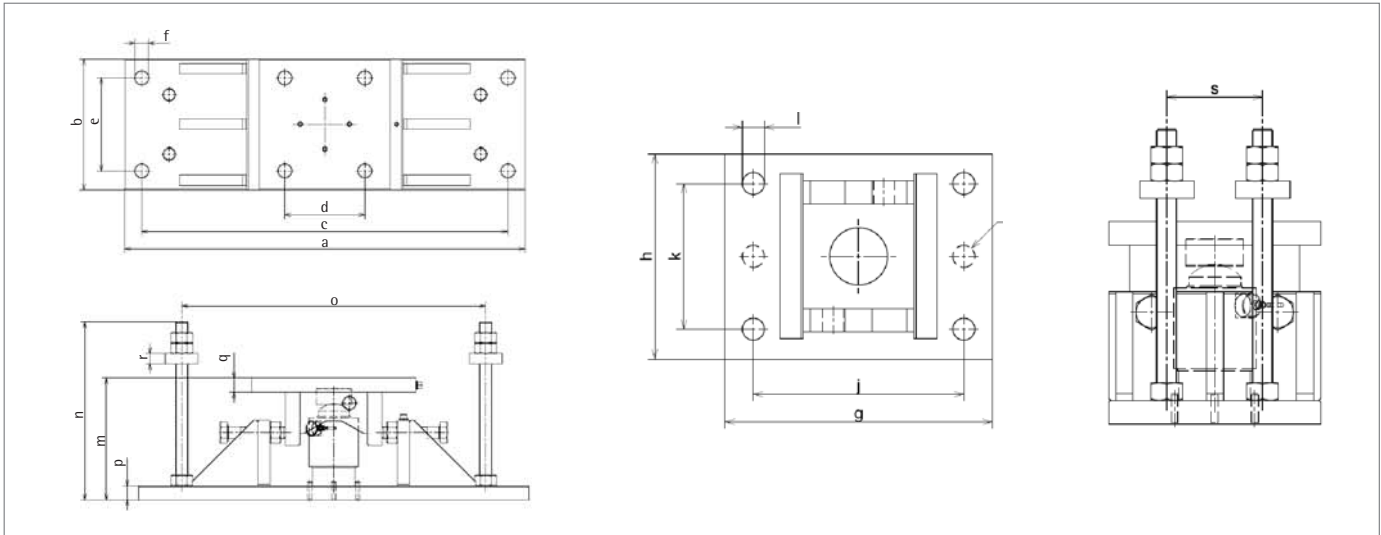


The mounting kits of the PR 6144 range are particularly designed for the high requirements of earth quake risk areas and therefore guarantee maximum security, even at extreme high lateral forces.

The design of the mounting kits in combination with the correct alignment allows tilting of the load cells caused by thermal or mechanical expansion or contraction of the silo or its supporting construction. Thus the risk of errors caused by these movements is minimized.

The provided dummy allows an easy and fast installation even without the load cell. The load cell will be installed, if the rough work has been finished. Damages of the load cell caused by overload or welding currents can be avoided.

These mounting kits are delivered with a generously dimensioned lift-off protection.



Type	a	b	c	d	e	f	g	h	j	k	l	m	n	o	p	q	r	s
PR 6144/54	820	240	740	160	160	33	380	240	300	160	33	217	350	620	30	30	25	120
PR 6144/15	950	310	870	190	220	33	400	310	315	220	33	298	435	740	35	35	25	140
PR 6144/35	150	350	1070	230	260	39	460	350	380	260	39	387	545	920	40	40	30	150
PR 6144/55	1180	350	1100	230	260	39	460	350	380	260	39	428	590	970	40	40	30	150

Dimensions in mm

#### Technical data

	PR 6144/54	PR 6144/15	PR 6144/35	PR 6144/55
Capacity	20 t ... 50 t	100 t	200 t ... 300 t	520 t
Perm. horizontal force	370 kN	440 kN	520 kN	520 kN
Horizontal breaking load	> 600 kN	> 800 kN	> 1200 kN	> 1200 kN
Perm. lift-off force	400 kN	600 kN	880 kN	880 kN
Breaking lift-off force	> 600 kN	> 900 kN	> 1200 kN	> 1200 kN
Perm. load with dummy	16 t	24 t	60 t	110 t
Material	St 52	St 52	St 52	St 52
Weight (with dummy)	122 kg	200 kg	328 kg	364 kg

#### Order information

Type	Description	Order number
PR 6144/54N	SeismicMount for PR 6201/24 ... PR 6201/54 incl. dummy and load disc	9405 361 44151
PR 6144/15N	SeismicMount for PR 6201/15 incl. dummy and load disc	9405 361 44151
PR 6144/35N	SeismicMount for PR 6201/25 ... PR 6201/35 incl. dummy and load disc	9405 361 44351
PR 6144/55N	SeismicMount for PR 6201/520t incl. dummy	9405 361 44551
PR 6143/55N	Load and bottom disc for PR 6201/520t	9405 361 43551

Please contact us and speak to one of KIW's sales consultants for further information

Kontrols & Industrial Weighing  
Unit 6A, 11 Bryants Rd  
Dandenong, 3175 VIC  
AUSTRALIA

Tel. 03 9791 5569  
Fax. 03 9791 5589  
e-mail: sales@kiw.com.au  
www.kiw.com.au